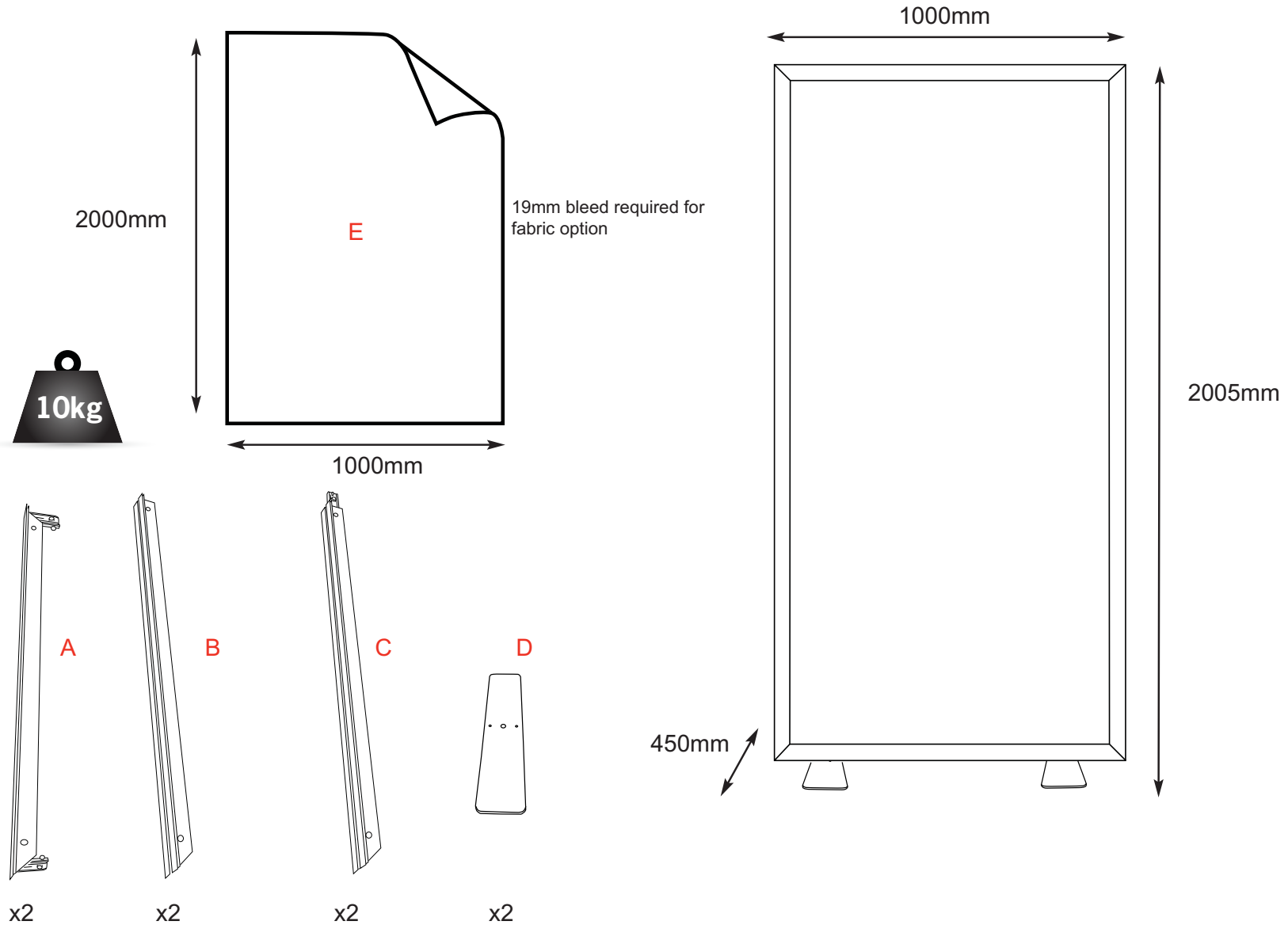
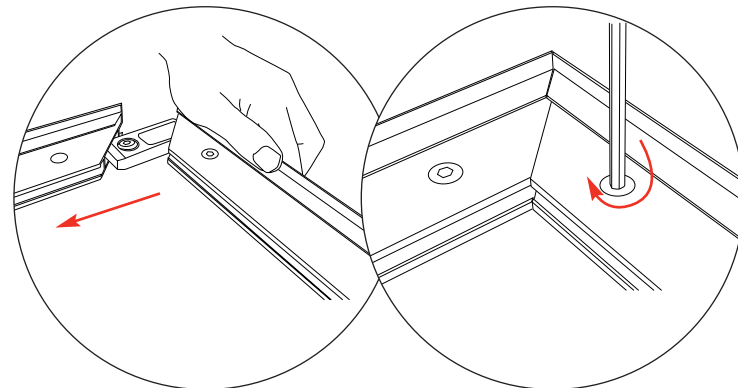
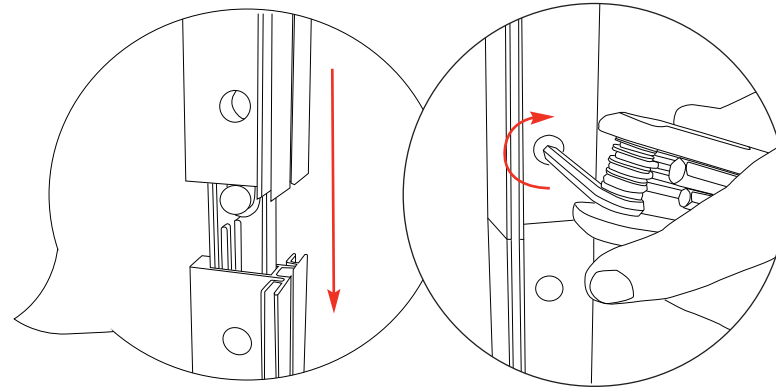
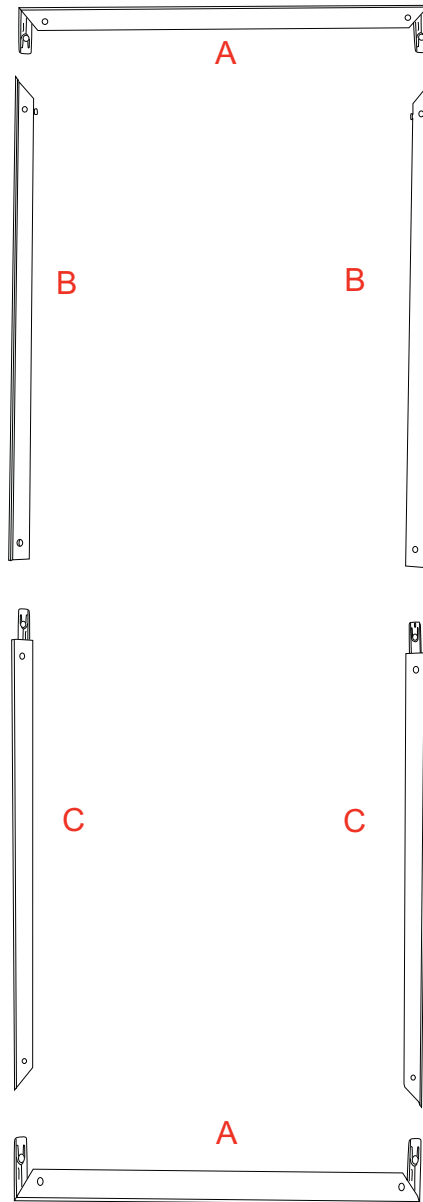


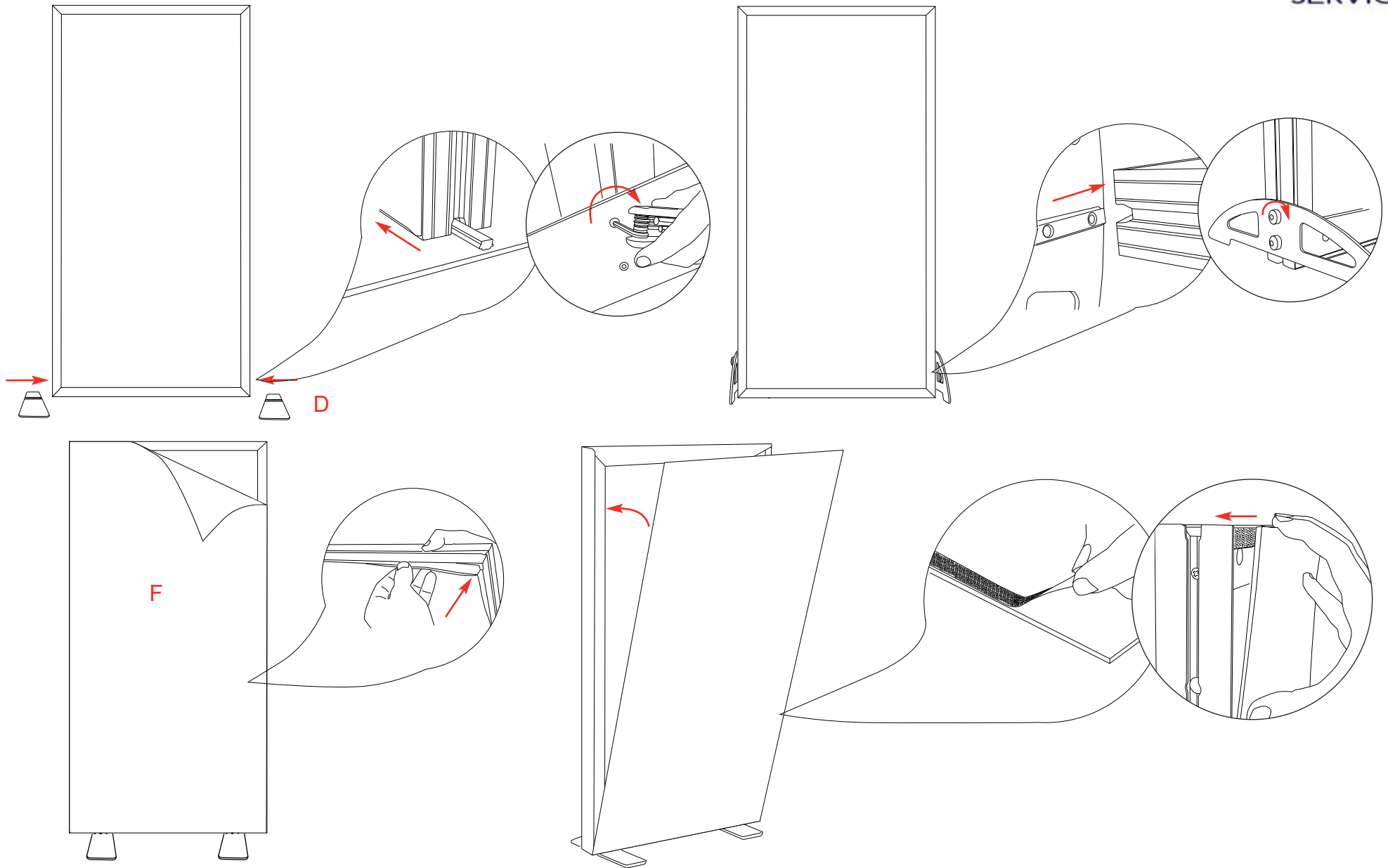
# VECTOR 1



# VECTOR 1



# VECTOR 1



# VECTOR 2

19mm bleed required for fabric option

2000mm

x2 F

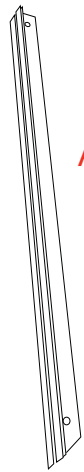
1000mm

20kg

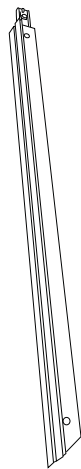
2000mm

2005mm

450mm



x2



x2



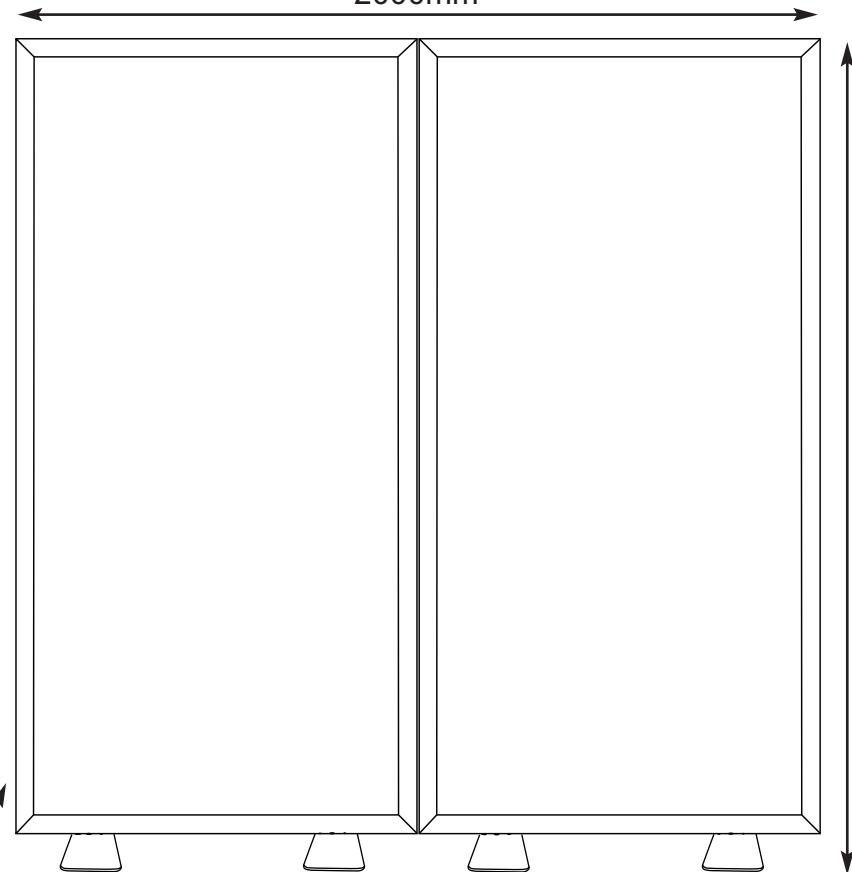
x2



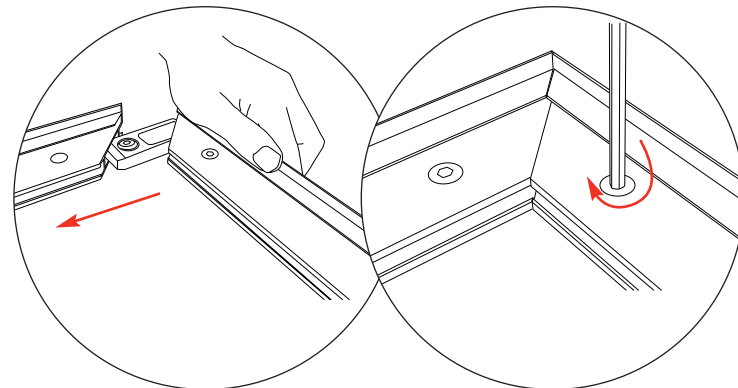
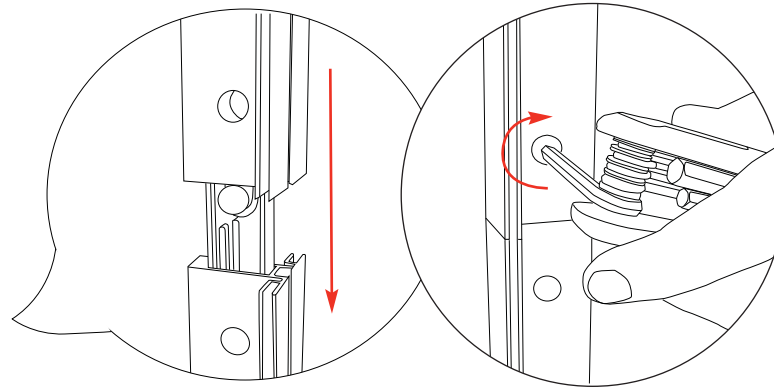
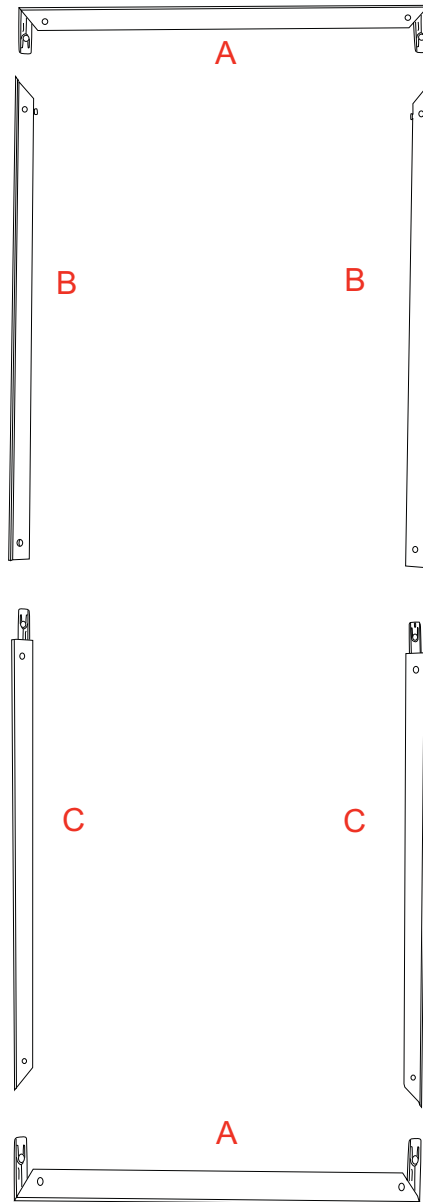
x2



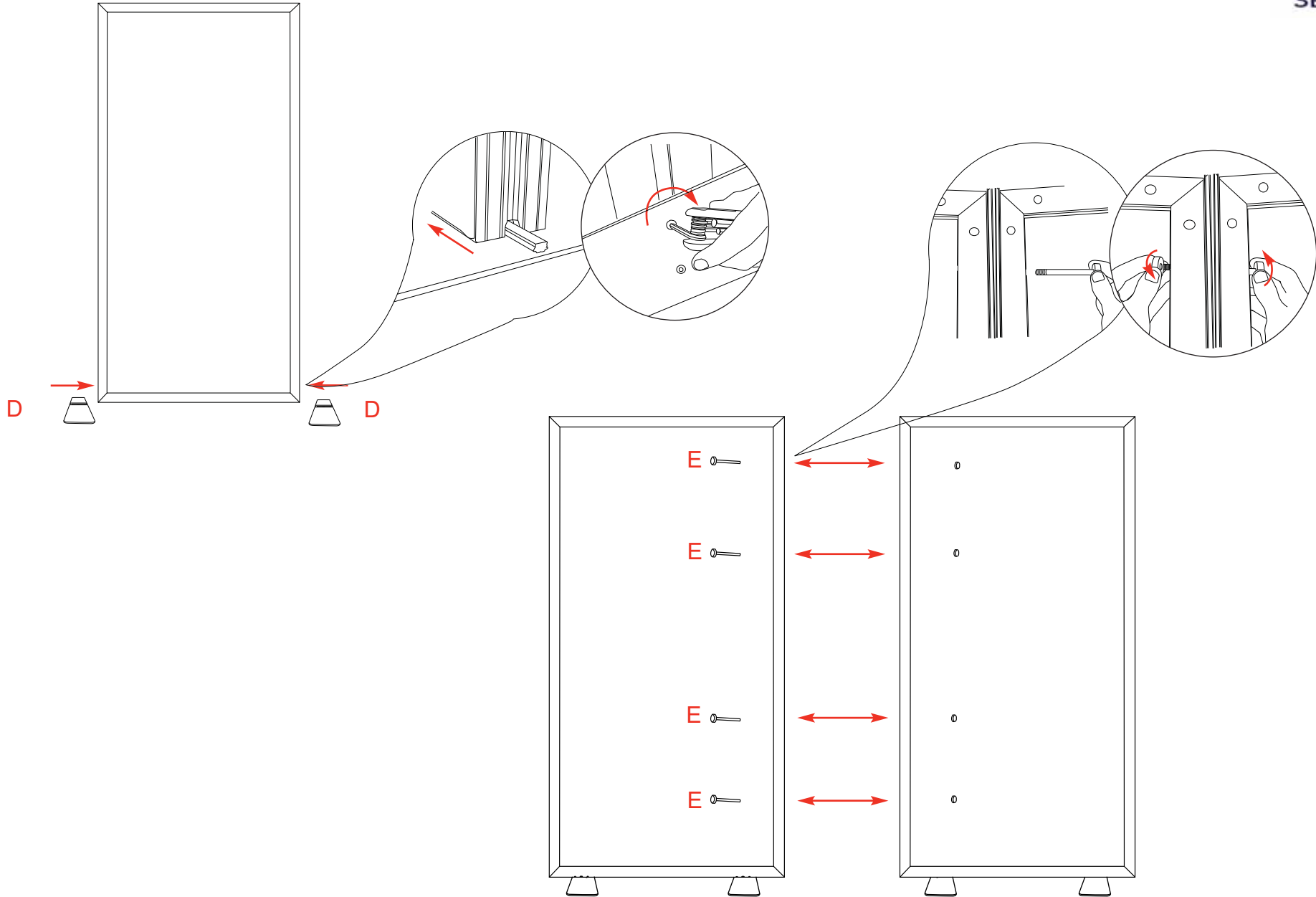
x4



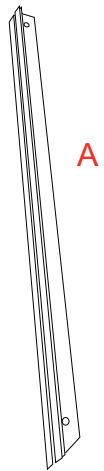
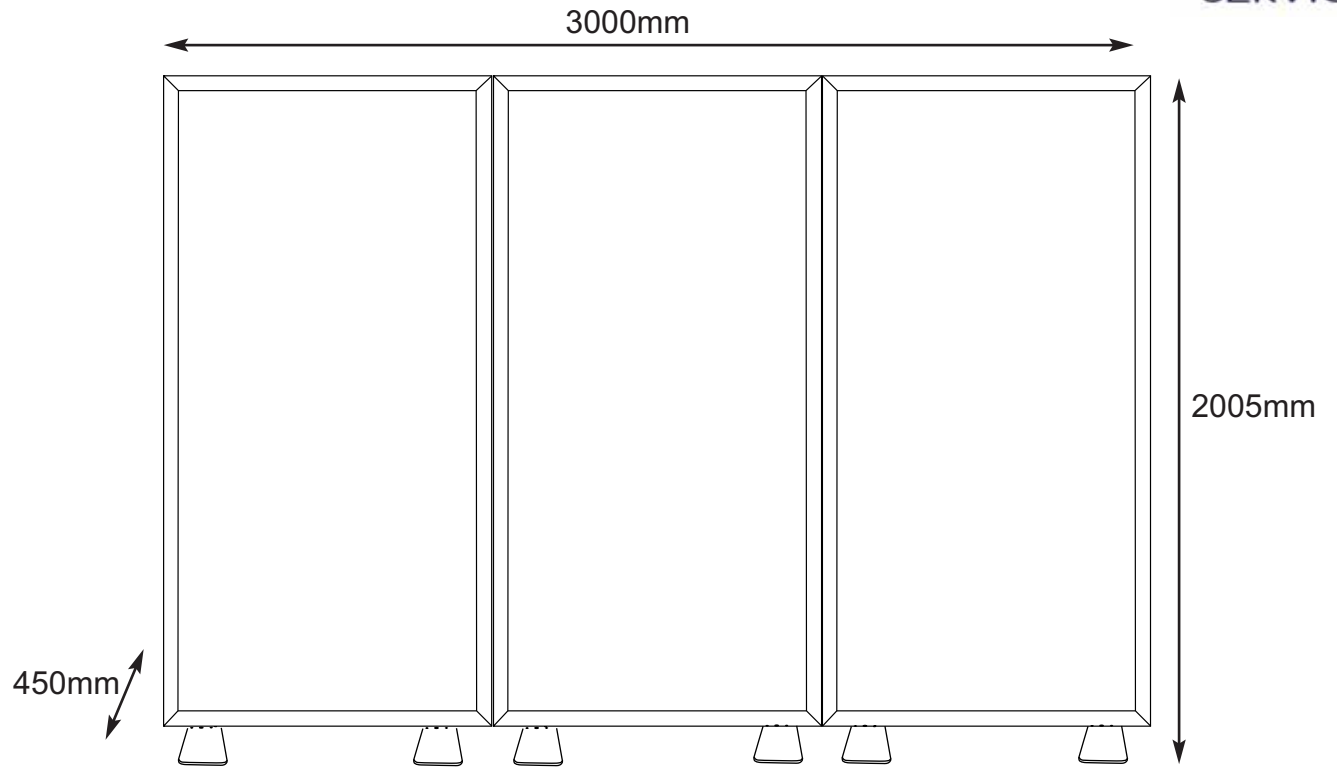
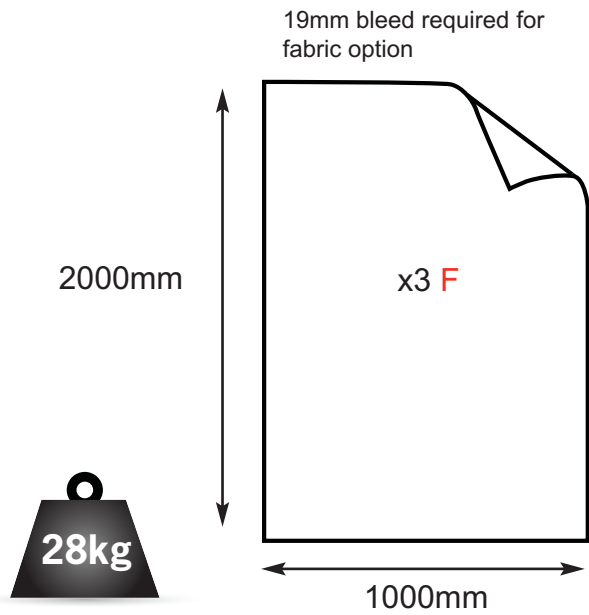
# VECTOR 2



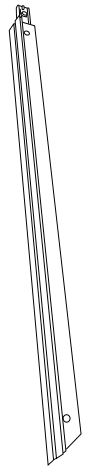
# VECTOR 2



# VECTOR 3



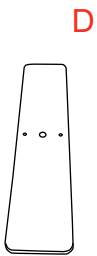
x6



x6



x6

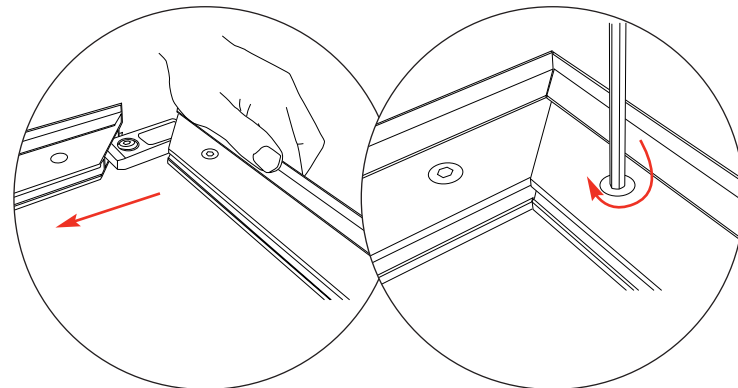
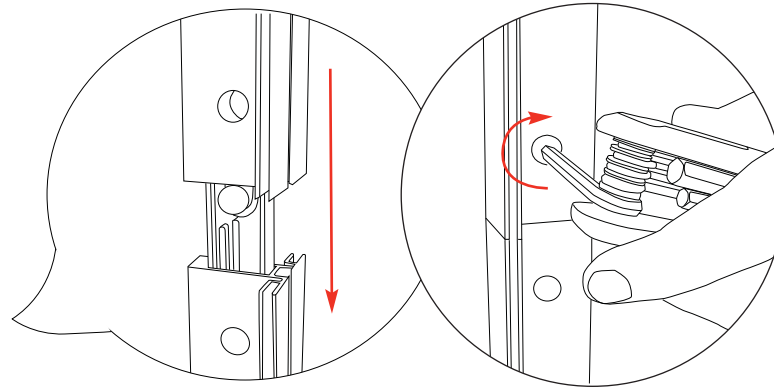
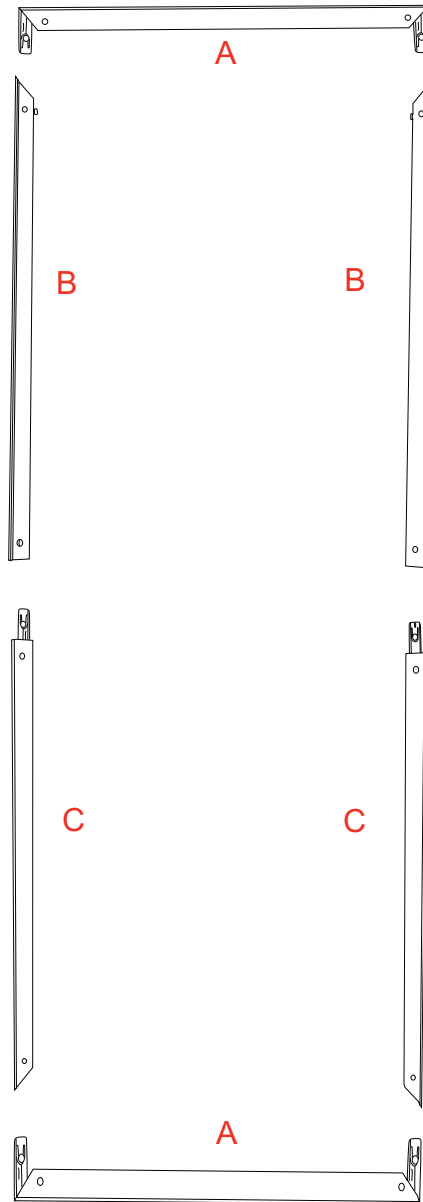


x6



x8

# VECTOR 3





# VECTOR 3

