

# THUNDER 2



GRAPHIC  
PRINTING  
SERVICES

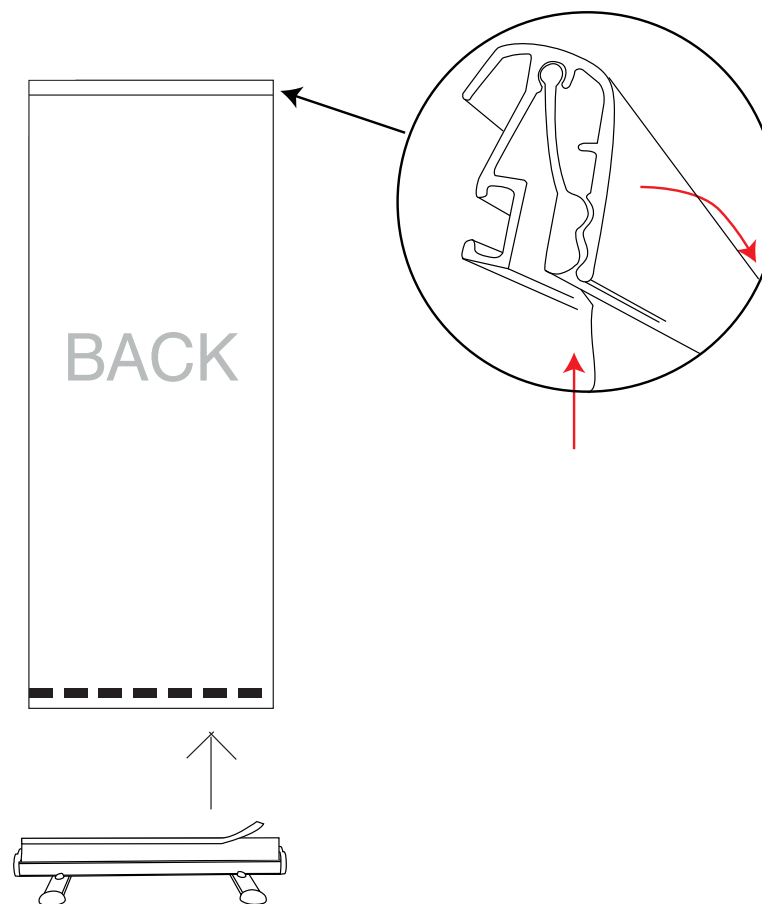


850mm 9.05kg



Visible graphic Area: 850mm(w) x 2025mm (h)  
Recommended Graphic Thickness: 350microns Banner Vinyl  
Beaufort scale 5 if pegged (18-24mph)  
Beaufort scale 2 if unpegged (4-7mph)  
Recommended to be weighed down if unpegged

1



# THUNDER 2



GRAPHIC  
PRINTING  
SERVICES

