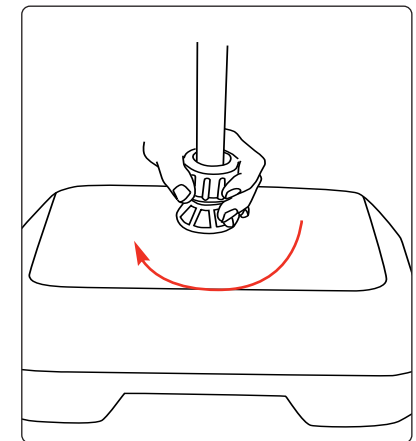
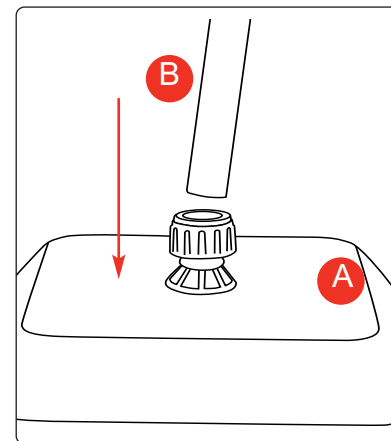
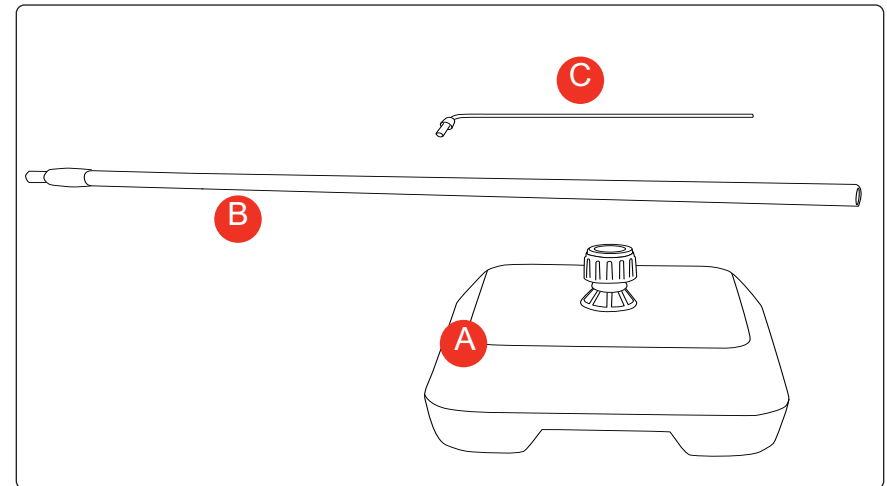


SHIMMER



Hardware specifications	Graphic specifications
<p>Shimmer Assembled dimensions: 2560mm(h) x 800mm(w)</p> <p>Water Capacity: 15L Max</p>	<p>Recommended substrate: Lightweight flag textile</p> <p>Recommended print process: Dye-sublimation print onto one side of the flag only</p> <p>Visual size & graphic dimensions: Refer to template:</p>

SHIMMER

