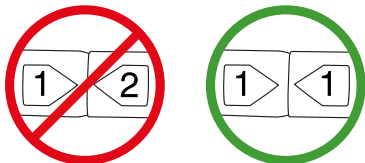
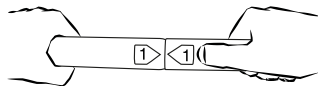
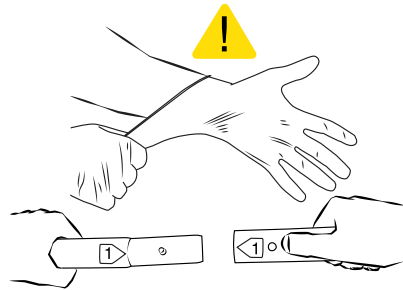
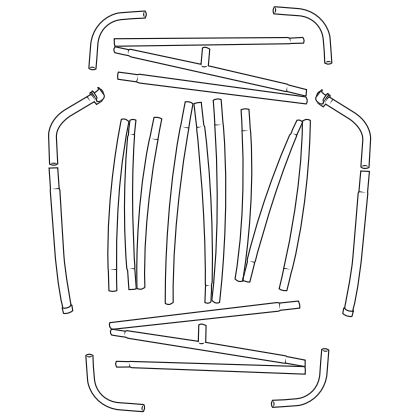
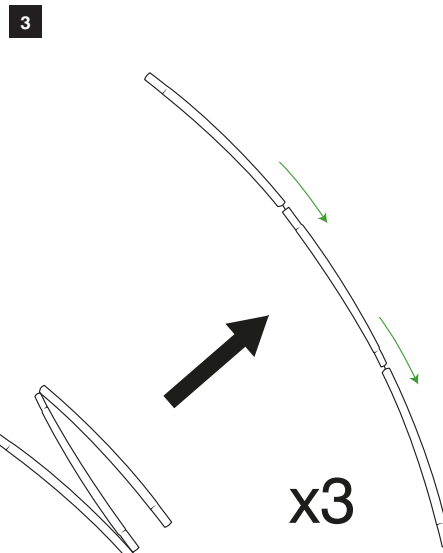
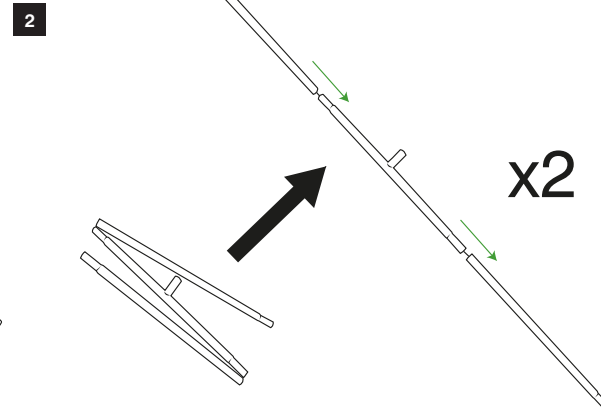
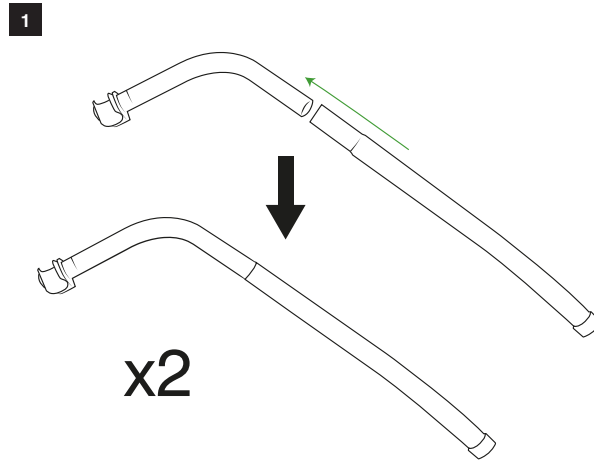


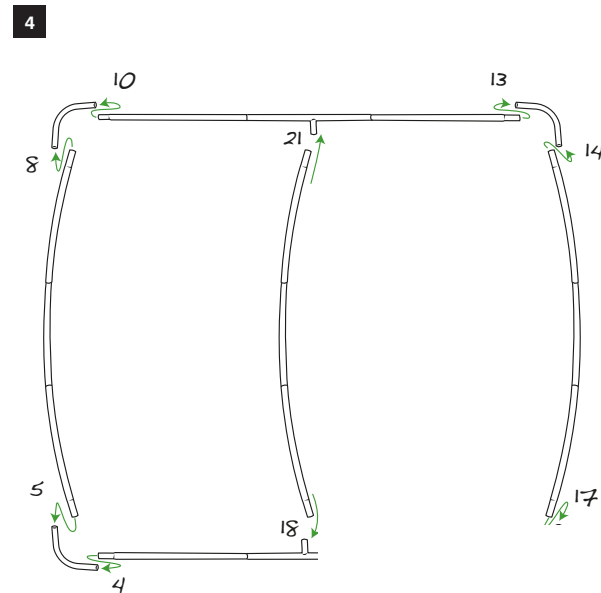
# FORMULATE VERTICAL CURVE



Important note: These instructions are based on assembling the 3m version. Other size kits will have slightly different configurations of poles but can still be assembled in the same way.



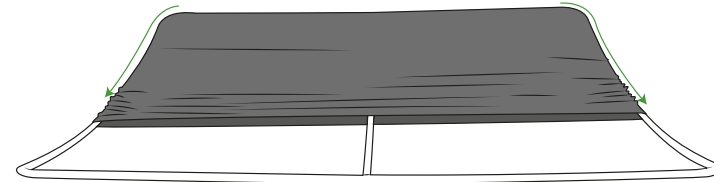
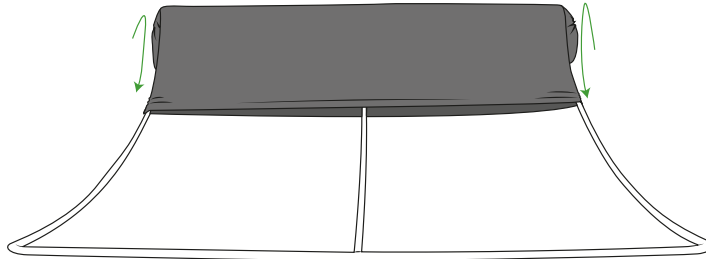
Note: Central pole is longer



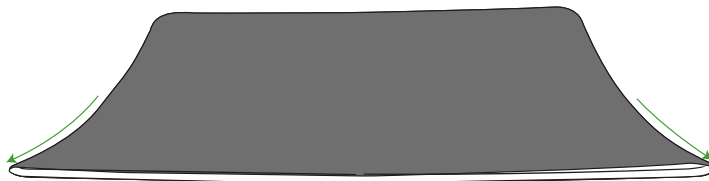
# FORMULATE VERTICAL CURVE

## Attaching Graphic

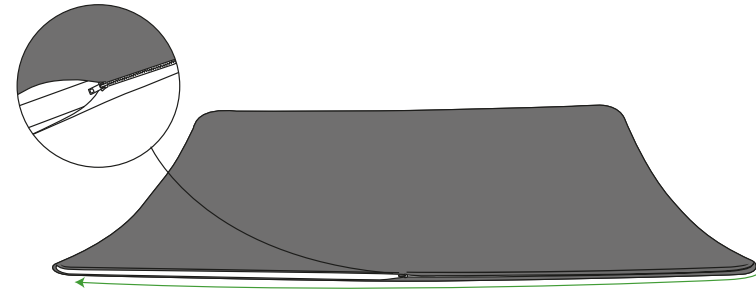
1



3



4



5

