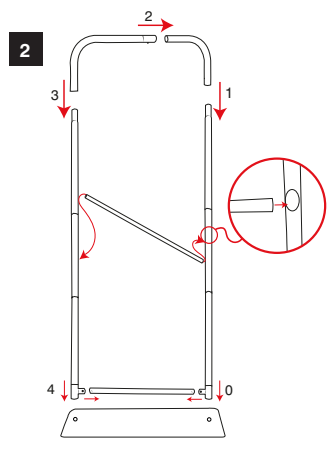
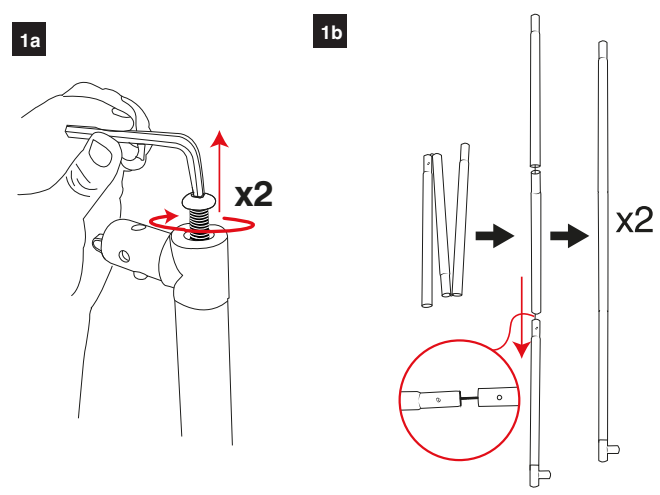
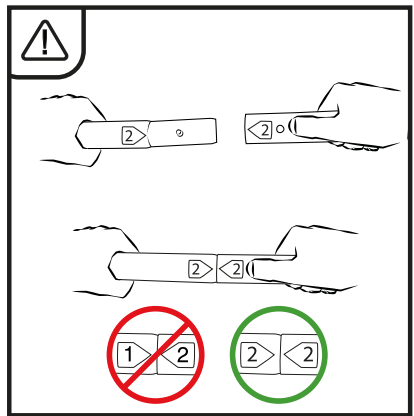
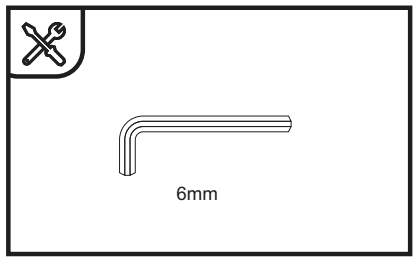
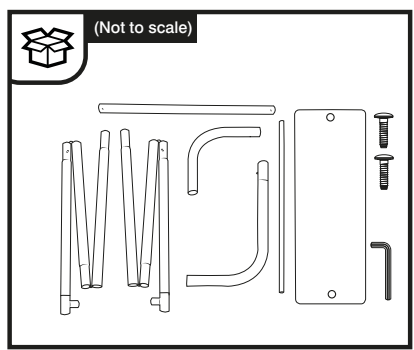


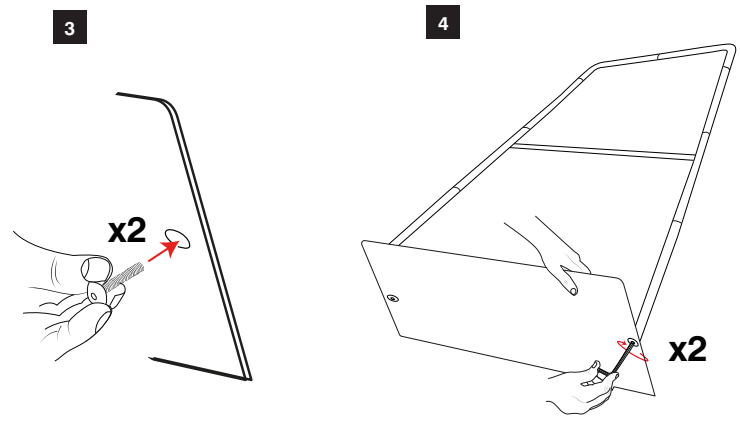
FORMULATE MONOLITH



Tension Banners
Formulate Monolith 600mm



NOTE: FOR ZIPPED VERSION REFER TO STEP 5B-THEN CONTINUE TO ATTACH BASE AS PER STEPS 3 & 4

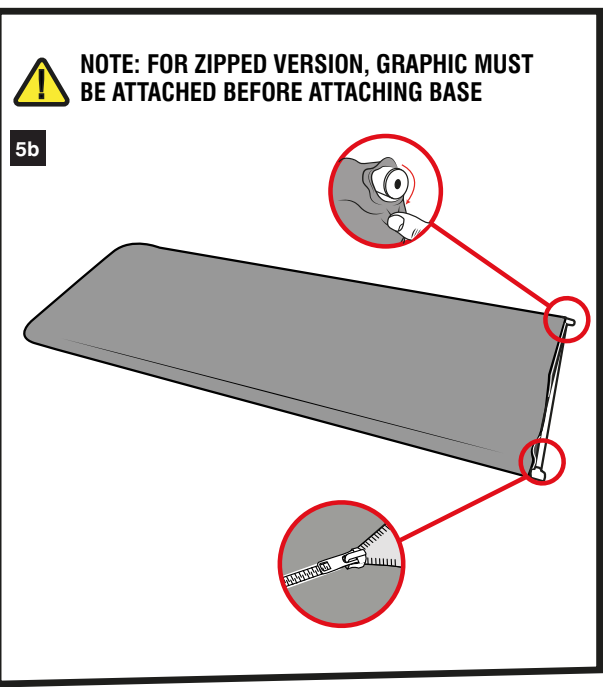
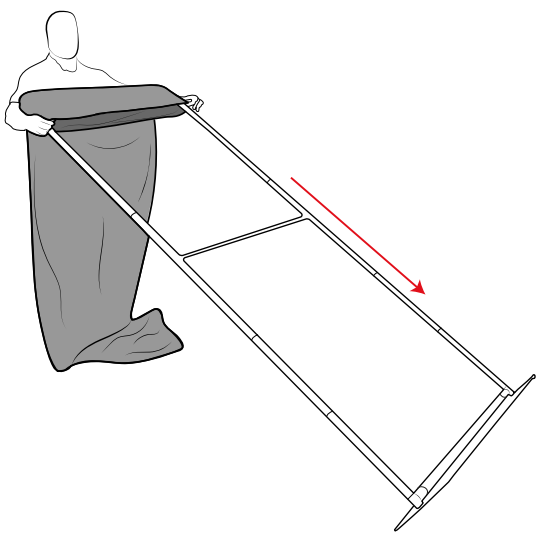


FORMULATE MONOLITH

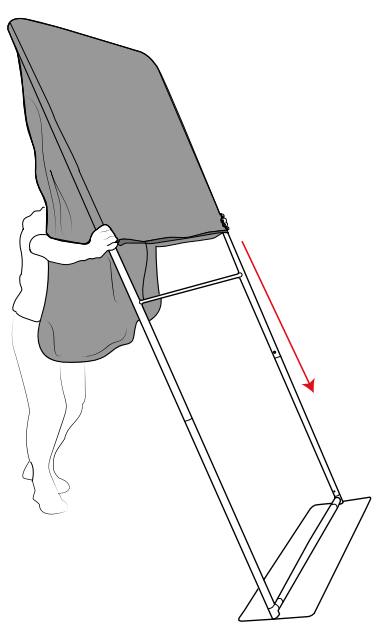
Tension Banners
Formulate Monolith 600mm



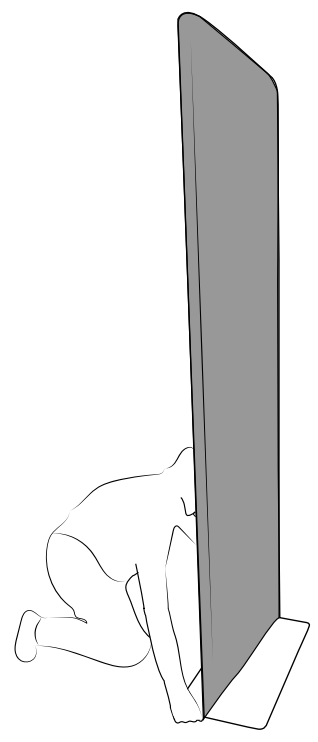
5a



6



7



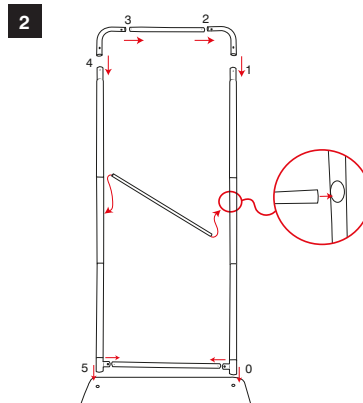
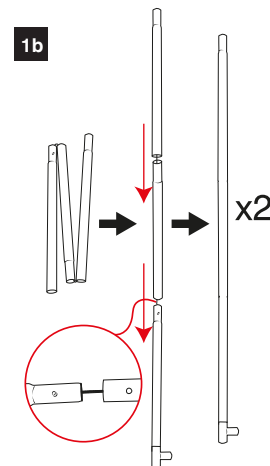
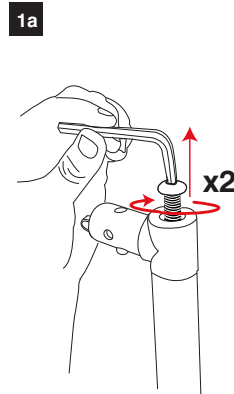
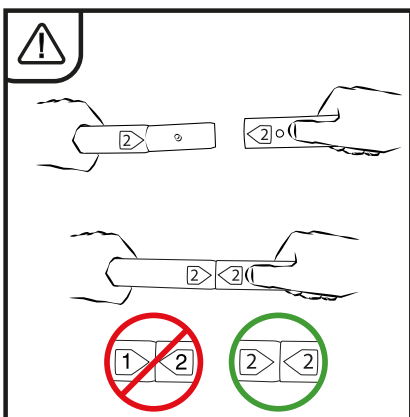
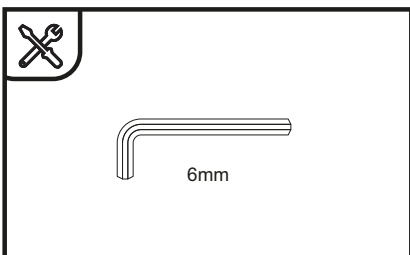
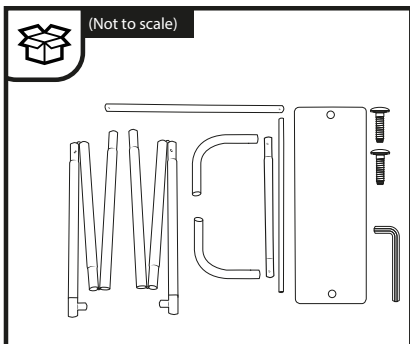
FORMULATE MONOLITH



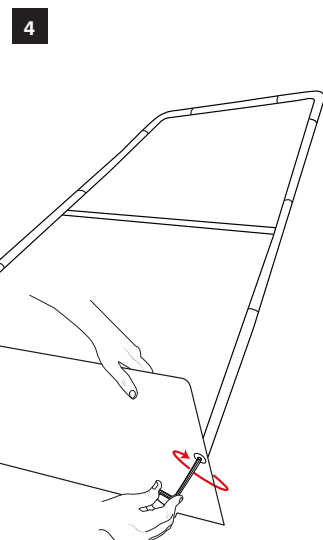
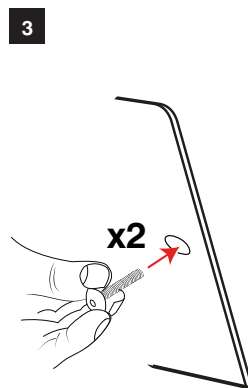
GRAPHIC PRINTING SERVICES

Tension Banners

Formulate Monolith 800mm




NOTE: FOR ZIPPED VERSION REFER TO STEP 5B-THEN CONTINUE TO ATTACH BASE AS PER STEPS 3 & 4

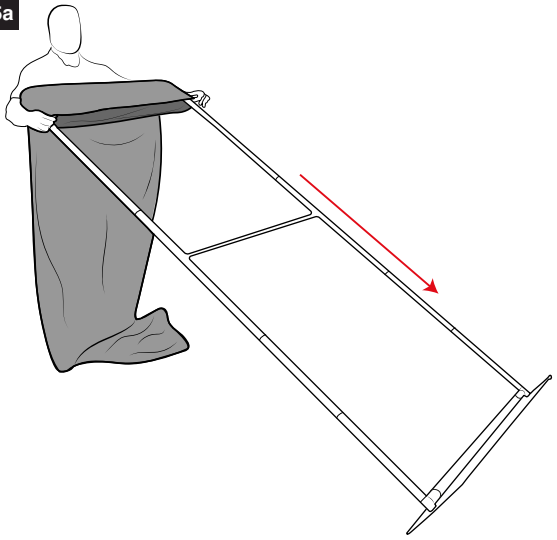


FORMULATE MONOLITH

Tension Banners
Formulate Monolith 800mm

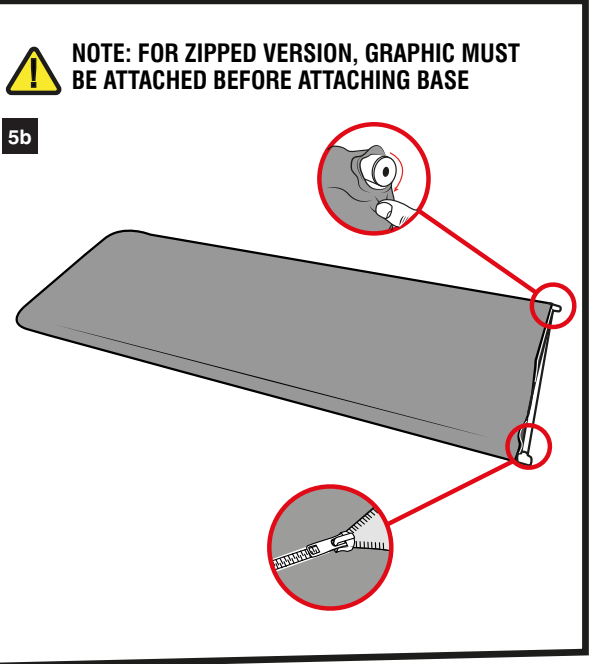


5a

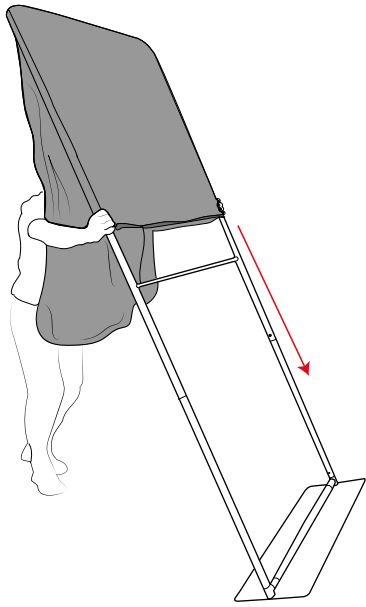


5b

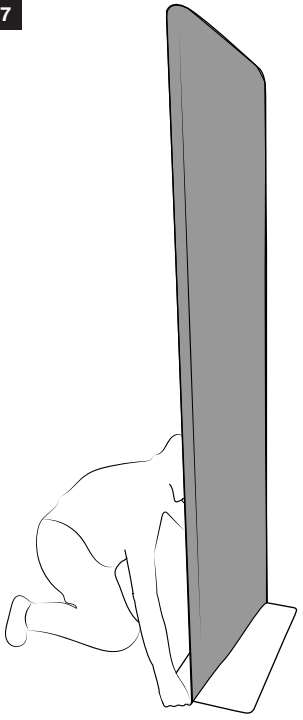
NOTE: FOR ZIPPED VERSION, GRAPHIC MUST BE ATTACHED BEFORE ATTACHING BASE



6

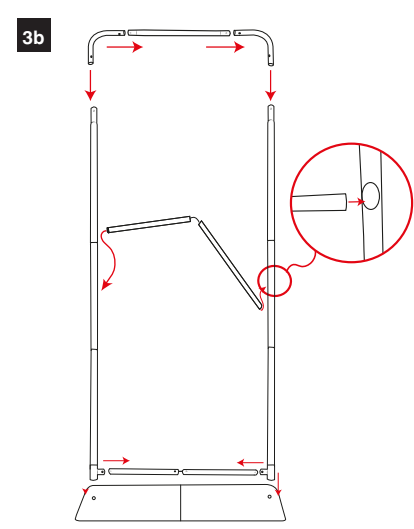
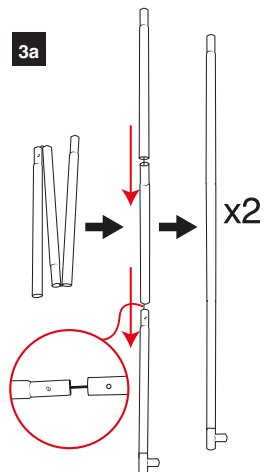
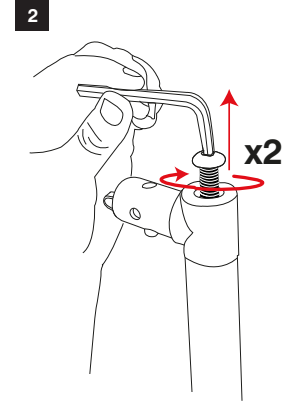
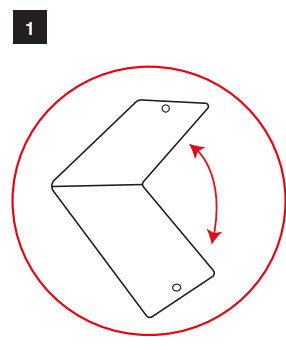
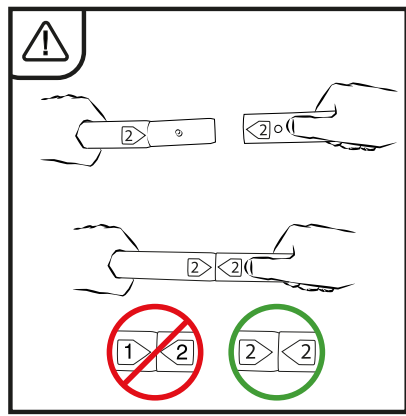
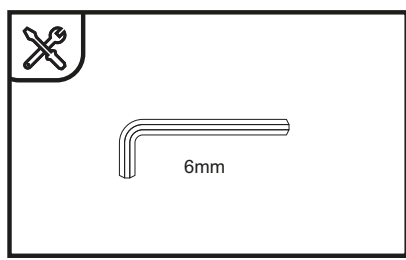
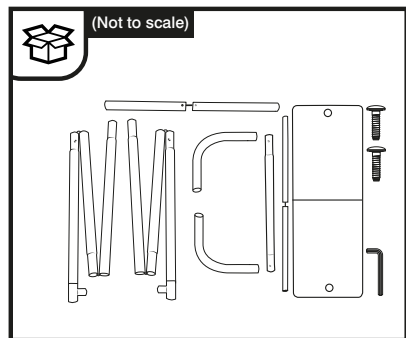


7

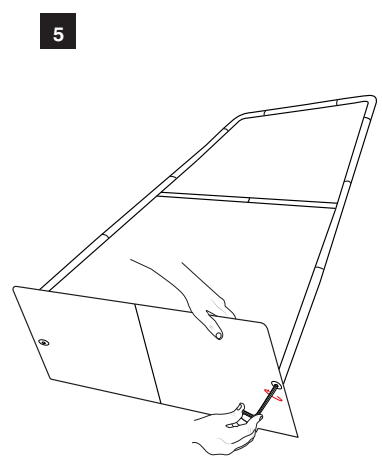
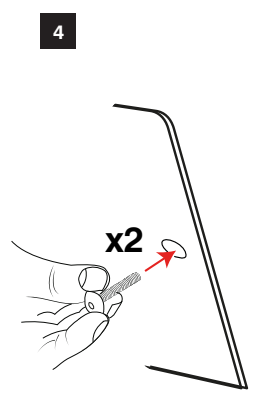


FORMULATE MONOLITH

Tension Banners
Formulate Monolith 900mm



NOTE: FOR ZIPPED VERSION REFER TO STEP 6B - THEN CONTINUE TO ATTACH BASE AS PER STEPS 4 & 5



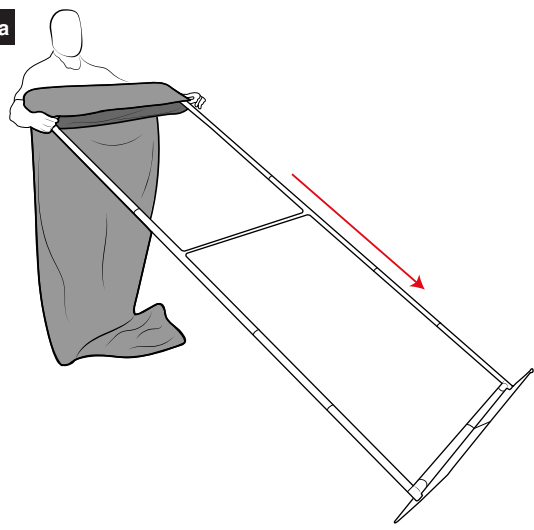
FORMULATE MONOLITH



Tension Banners
Formulate Monolith 900mm

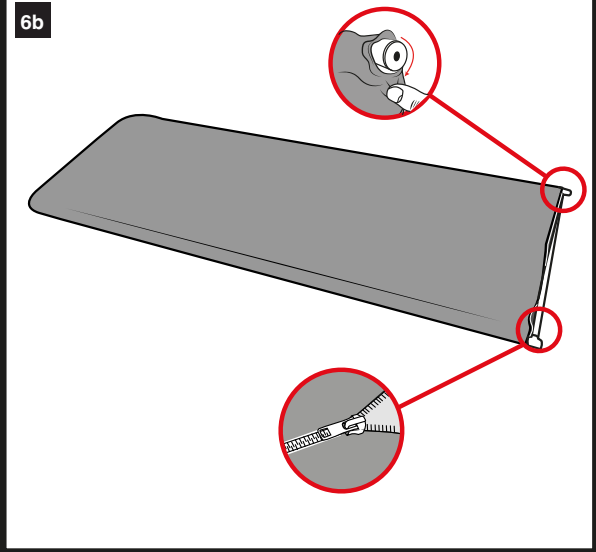


6a

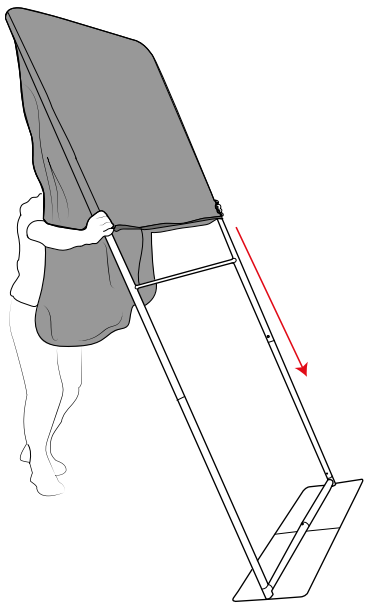


NOTE: FOR ZIPPED VERSION, GRAPHIC MUST BE ATTACHED BEFORE ATTACHING BASE

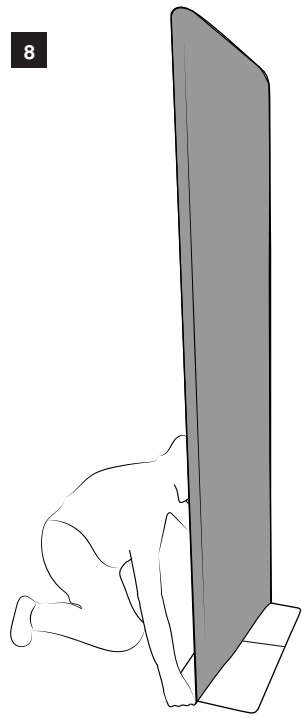
6b



7

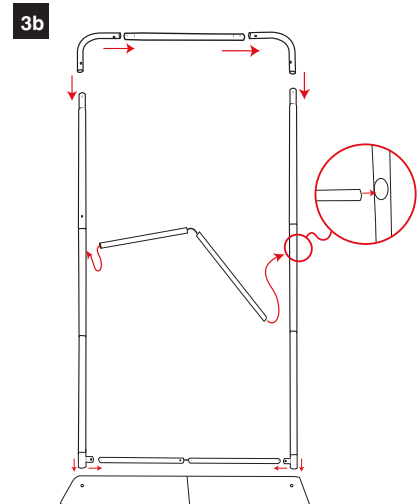
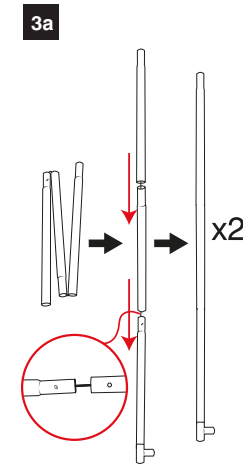
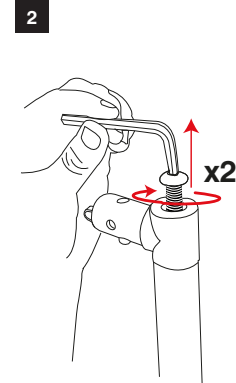
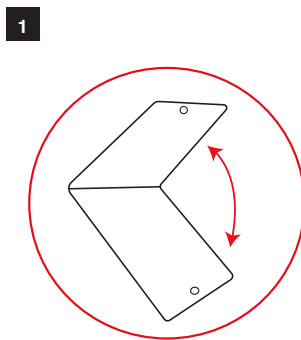
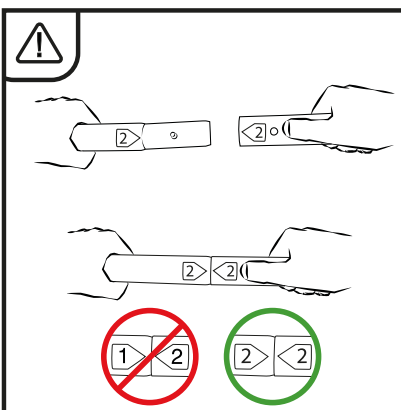
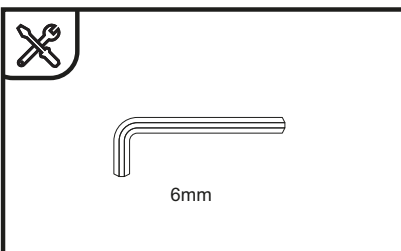
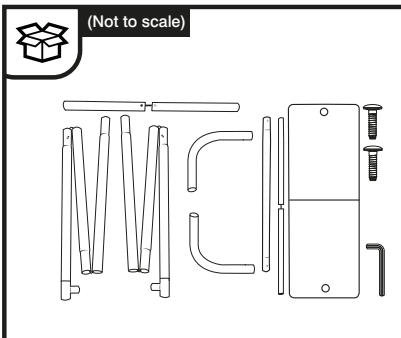


8

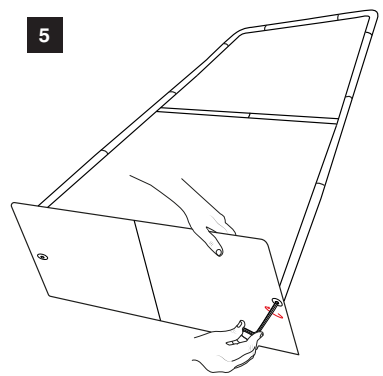
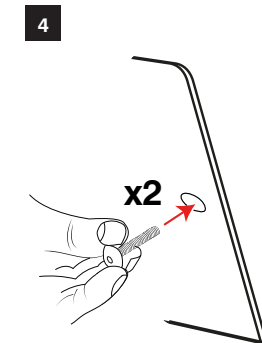


FORMULATE MONOLITH

Tension Banners
Formulate Monolith 1000mm



NOTE: FOR ZIPPED VERSION REFER TO STEP 6B - THEN CONTINUE TO ATTACH BASE AS PER STEPS 4 & 5

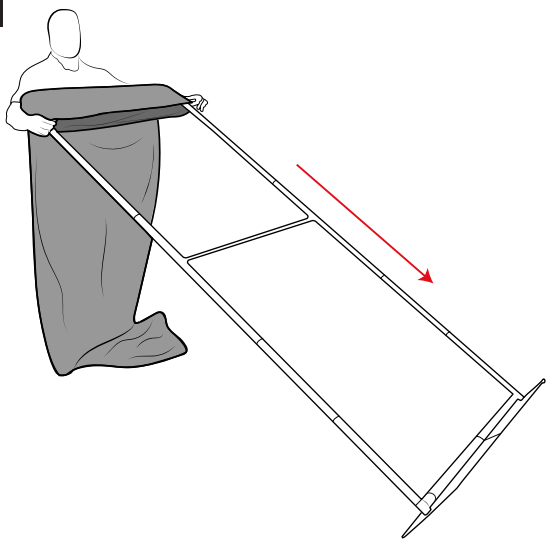


FORMULATE MONOLITH

Tension Banners
Formulate Monolith 1000mm

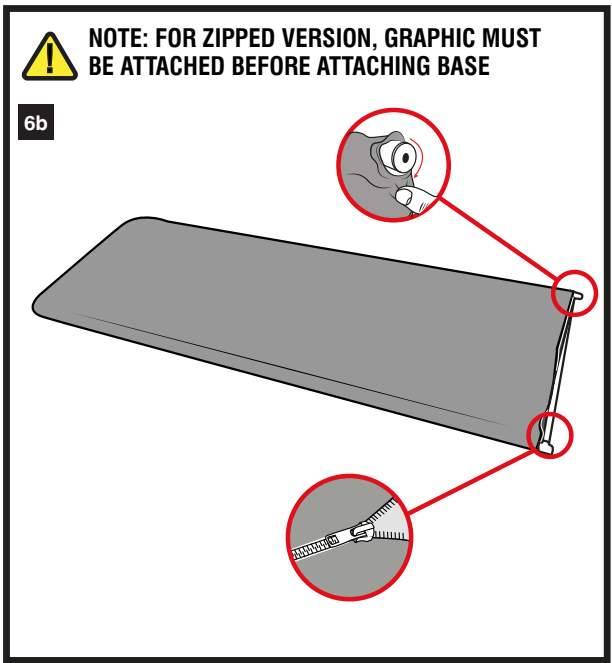


6a

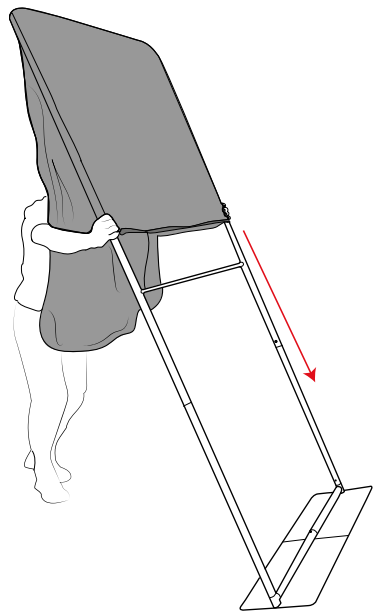


NOTE: FOR ZIPPED VERSION, GRAPHIC MUST BE ATTACHED BEFORE ATTACHING BASE

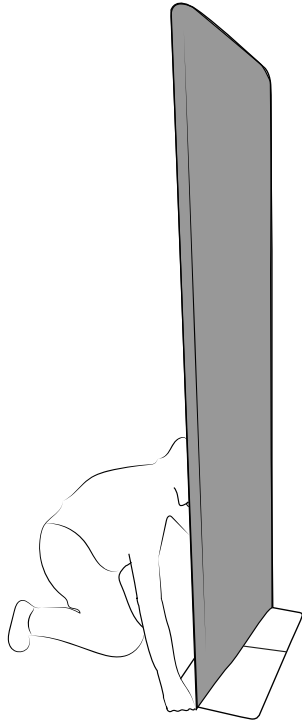
6b



7



8

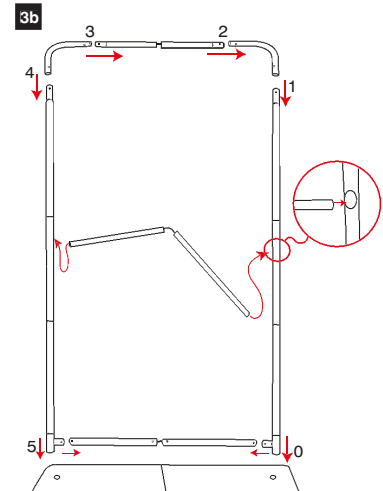
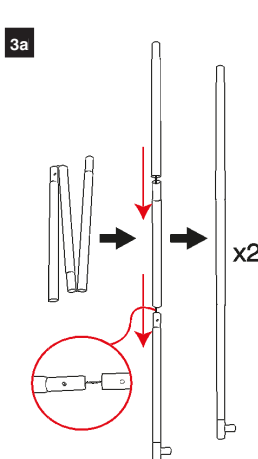
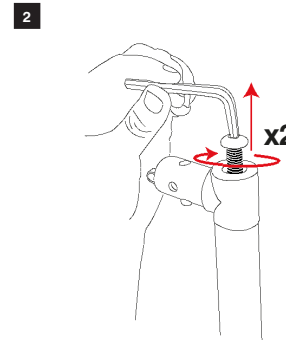
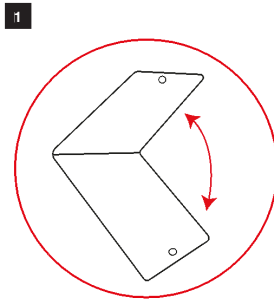
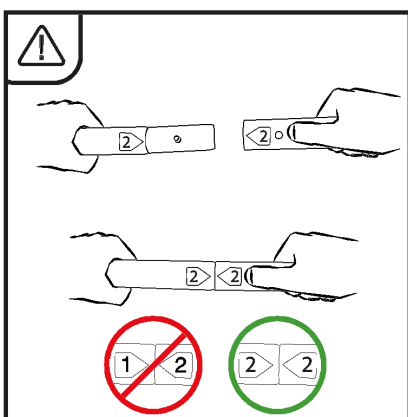
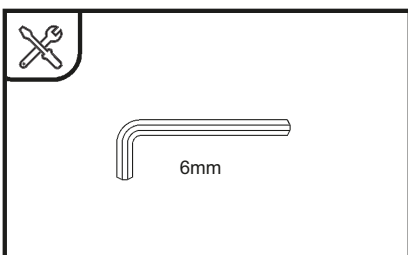
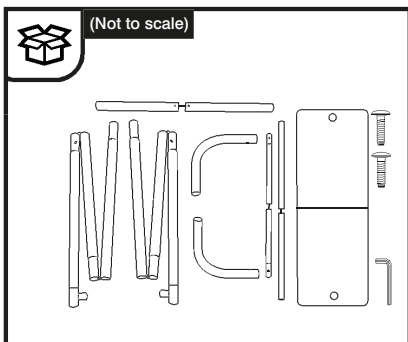


FORMULATE MONOLITH

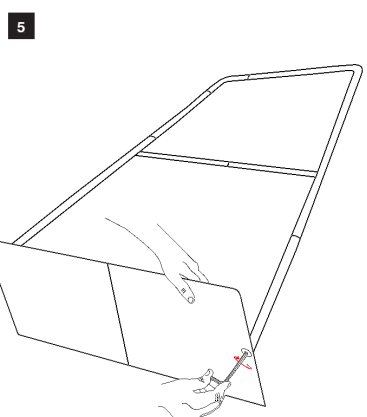
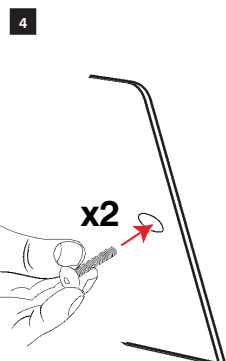


GRAPHIC
PRINTING
SERVICES

Tension Banners
Formulate Monolith 1200mm



NOTE: FOR ZIPPED VERSION REFER TO STEP 6B - THEN CONTINUE TO ATTACH BASE AS PER STEPS 4 & 5



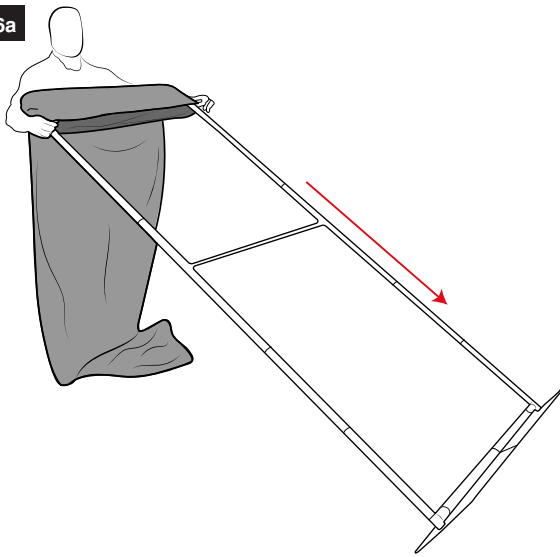
FORMULATE MONOLITH



Tension Banners
Formulate Monolith 1200mm

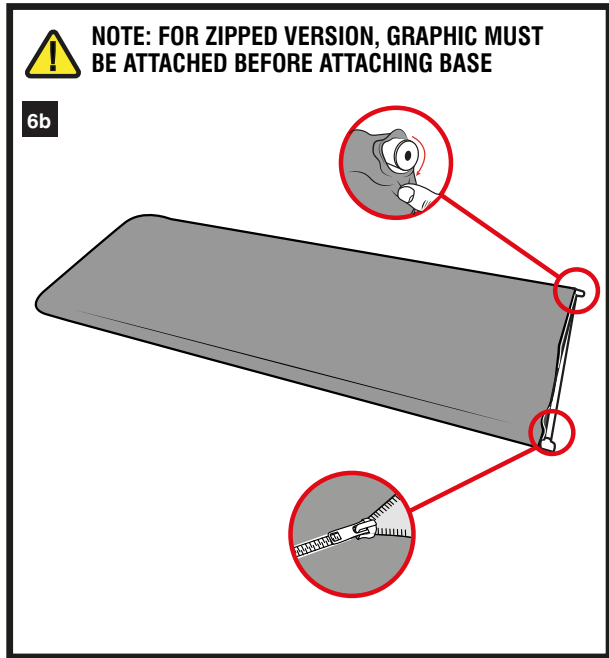


6a

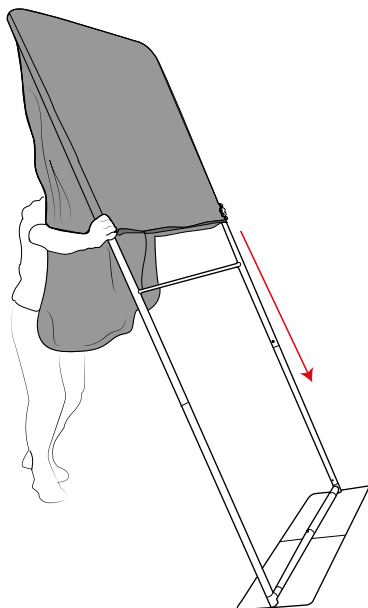


NOTE: FOR ZIPPED VERSION, GRAPHIC MUST BE ATTACHED BEFORE ATTACHING BASE

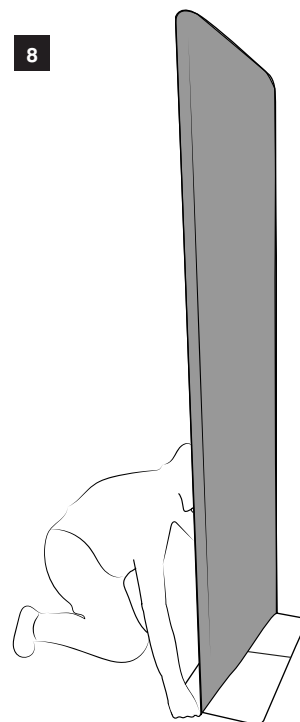
6b



7



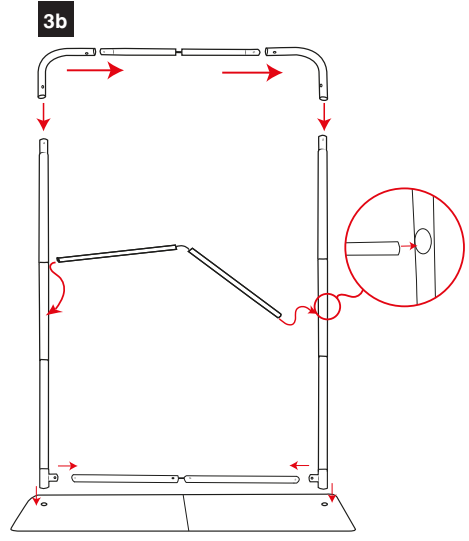
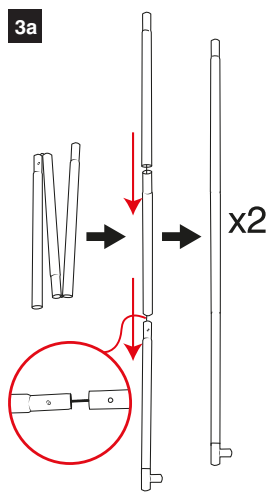
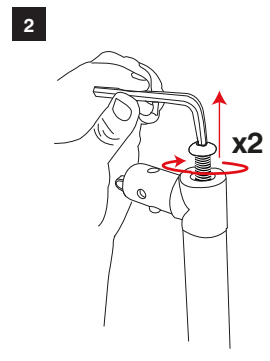
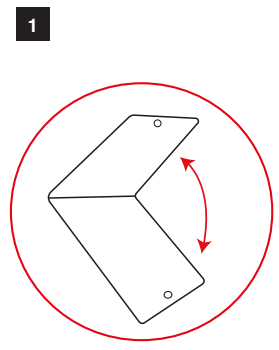
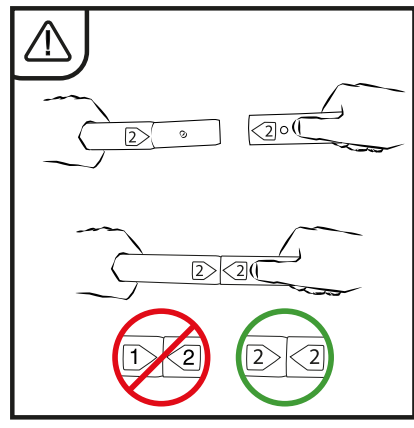
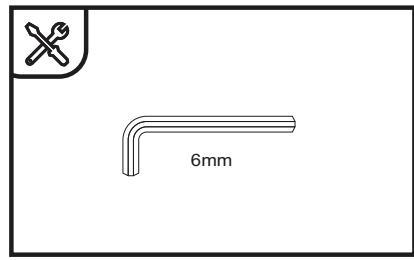
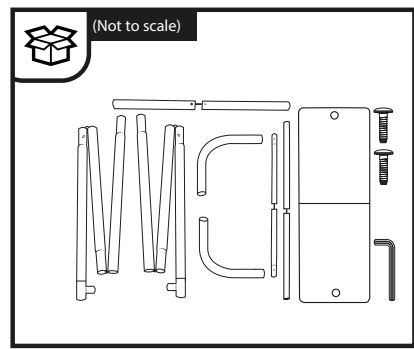
8



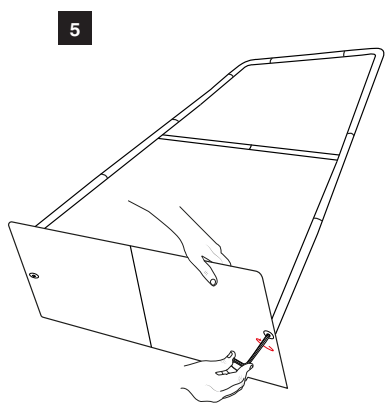
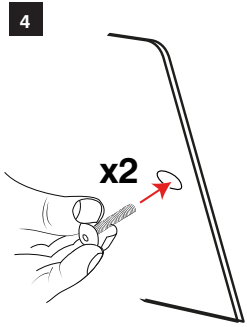
FORMULATE MONOLITH



Tension Banners
Formulate Monolith 1500mm



NOTE: FOR ZIPPED VERSION REFER TO STEP 6B - THEN CONTINUE TO ATTACH BASE AS PER STEPS 4 & 5



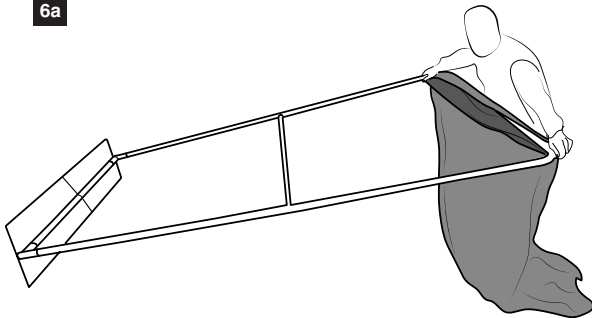
FORMULATE MONOLITH



Tension Banners
Formulate Backwall 1500mm

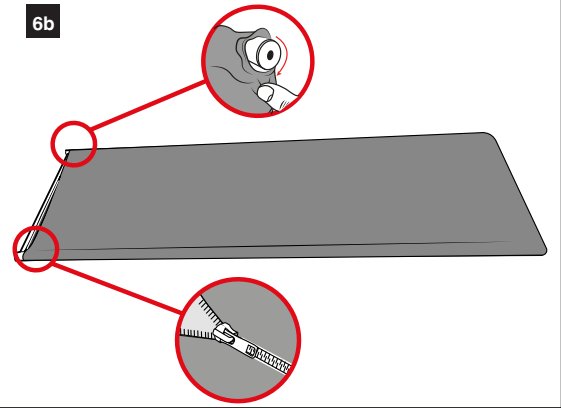


6a

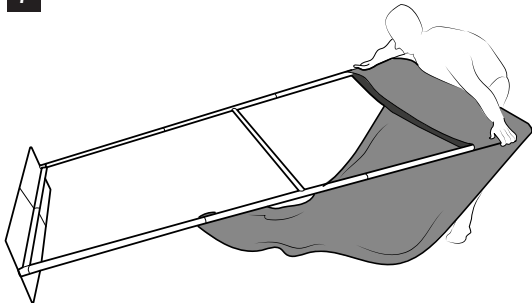


NOTE: FOR ZIPPED VERSION, GRAPHIC MUST BE ATTACHED BEFORE ATTACHING BASE

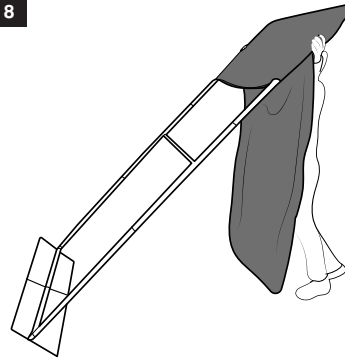
6b



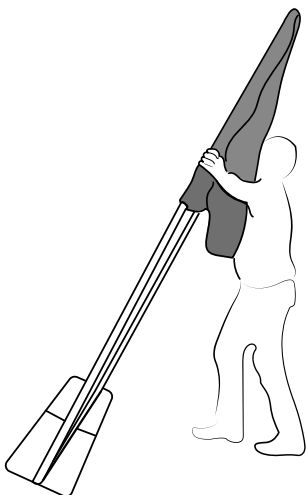
7



8



9



10

