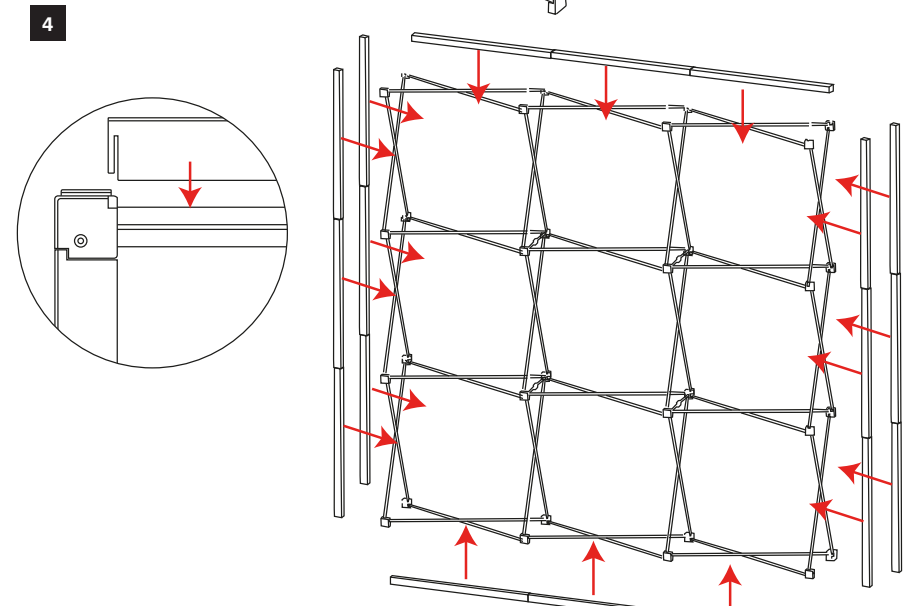
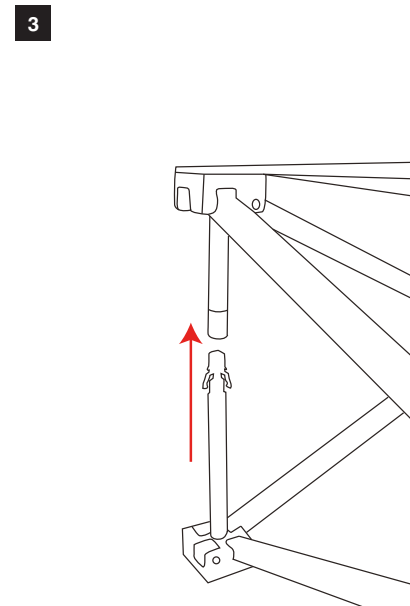
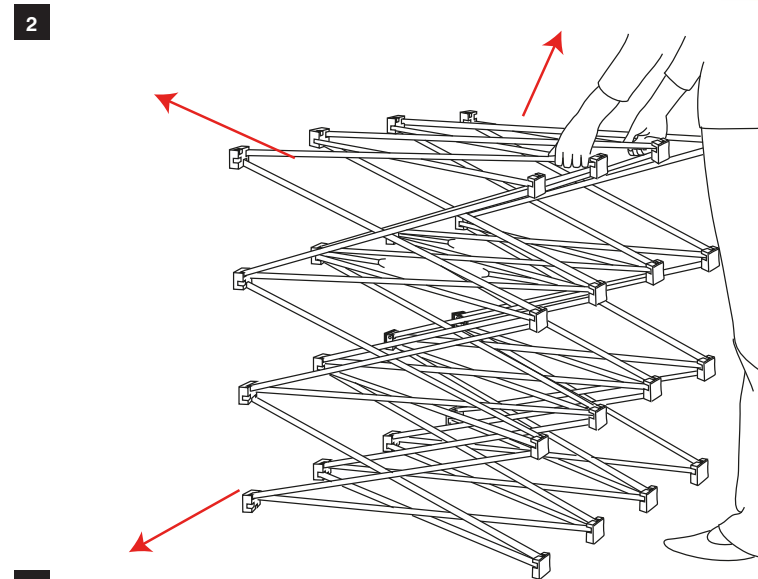
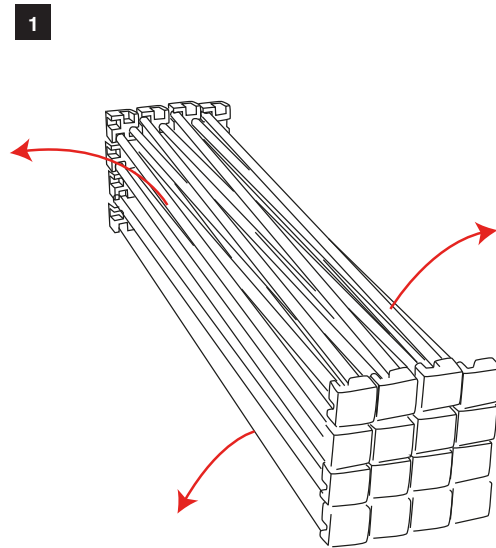


EMBRACE



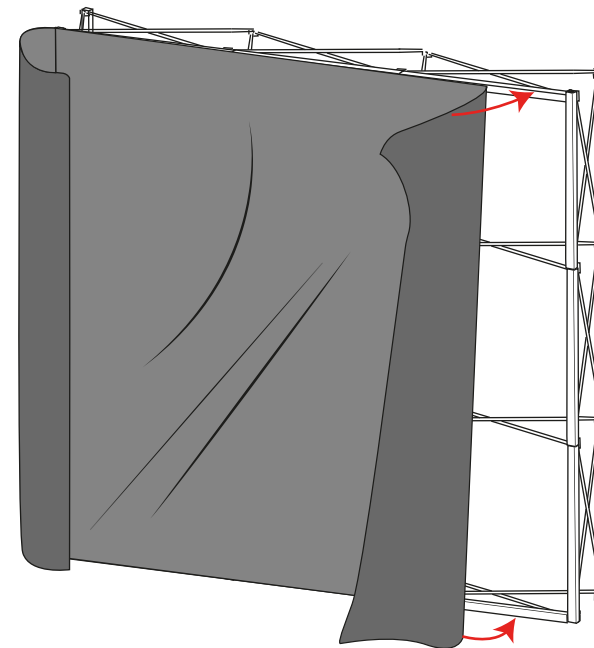
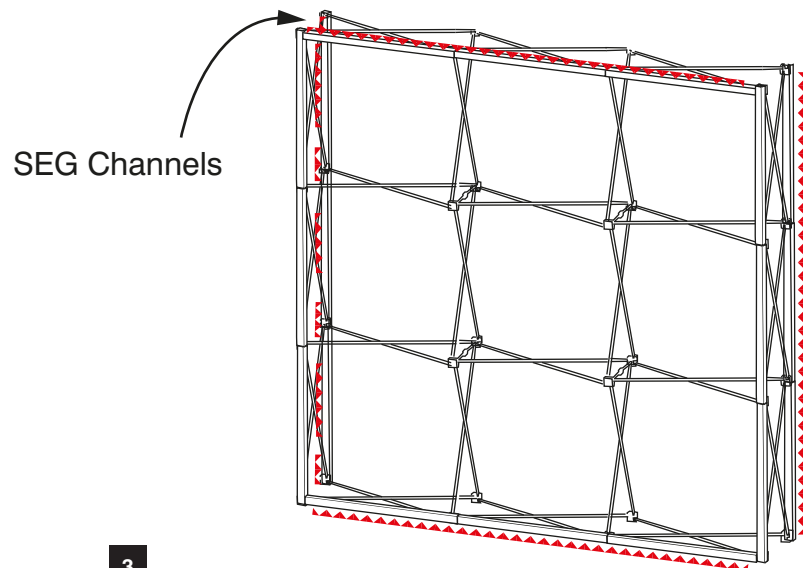
Important note: These instructions are based on assembling the 3x3m version. Other size kits will have slightly different configurations but can still be assembled in the same way.



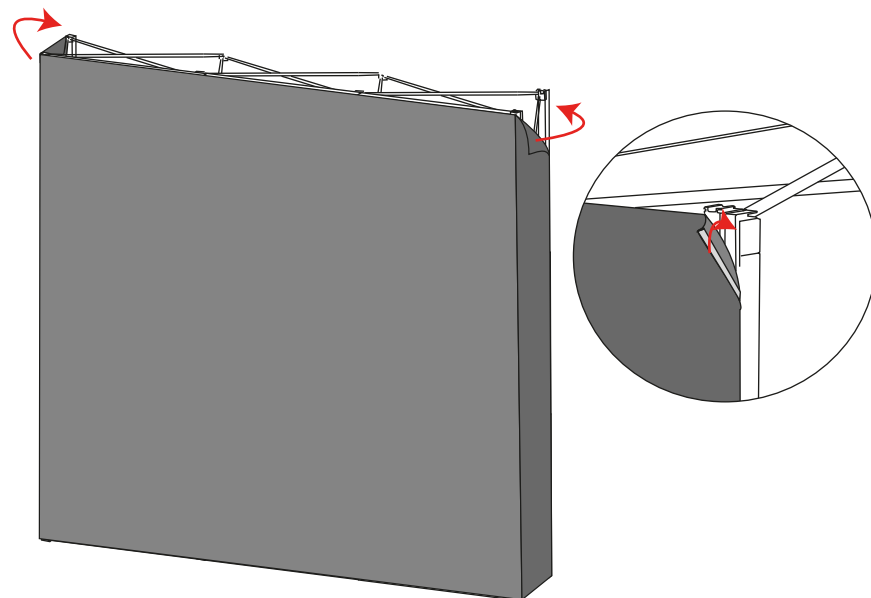
Attaching Graphic

1 Begin assembly with frame flat on floor. Locate white hubs and position this side face up.

2



3



4

